

Safety Precautions

Read all safety precautions and installation instructions carefully before installing or servicing this fixture. Failure to comply with these instructions could result in potentially fatal electric shock and/or property damage.

It is recommended that all wiring be performed by a qualified electrician. This fixture must be wired in accordance with all national and local electrical codes.

Do not handle any energized fixture or attempt to energize any fixture with wet hands or while standing on a wet or damp surface or in water.

Make sure that the power source conforms to the requirements of the fixture. (See labels on fixture housing).

This fixture is designed for use in a 120-277V AC, 60Hz fused circuit. The fixture is compatible with TRIAC (forward-phase or leading-edge) / ELV (reverse-phase or trailing-edge) and 0-10 V dimmers.

To reduce the risk of electrical shock, and to assure proper operation, this fixture must be adequately grounded. To accomplish proper grounding, there must be a separate ground wire (green) or bare metal contact (metal conduit) between this fixture and the ground connection of your main power supply panel. The green ground screw location is clearly marked on the fixture housing.

This fixture is intended to be used for general indoor lighting in dry or damp locations only.

Assembly Instructions

1. Preparing for installation

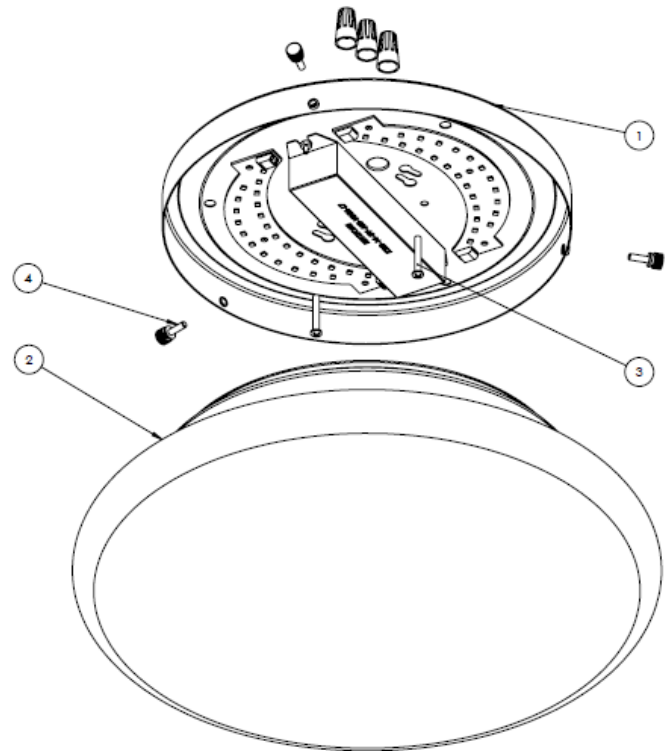
- A. **Disconnect electrical power** before installing or servicing any part of this fixture.
- B. Remove fixture from box; remove pan (1), diffuser lens (2) and hardware bag.

2. Wiring

All wiring must take place inside junction box.

Caution: Make sure power is off at fuse or circuit breaker box. Check power wires for damage or scrapes. If power supply wires are within three inches of ballast, use wire suitable for at least 90C (194F). **Note:** Most dwellings built before 1985 have supply wire rated to 60C. Consult a qualified electrician before installing.

- A. This unit will not operate properly unless connected to a “grounded” electrical circuit. Electrical shock, over-heating, low or no light output, and shortened lamp life can result if proper grounding is not done.
- B. Make all wire connections to appropriate wire. Secure with wire nuts (supplied).
- C. Connect green wire from the fixture to the power source green wire.
- D. The white wire from the fixture is connected to the white (N) wire from power source.
- E. The black wire from the fixture is connected to the black (L) wire from power source.
- F. D2 (0-10V). Dimming is optional. Fixture will operate normally w/o connection to the dimmers. For dimming, connect gray wire from the fixture to the dimmer source gray wire. Connect purple wire from the fixture to the dimmer source purple wire.
- G. **Do not mix wires.** Pull on each wire lead to make sure connections are secure. Make certain no bare wires are exposed outside of wire connectors. Tuck all connections neatly into the junction box.



3. Mounting

- A. Junction Box mounting; Attach pan (1) to junction box through key slots with two machine screws (3).

4. Diffuser mounting

- A. Slide the diffuser (2) over the pan (1). Secure diffuser with 3 decorative screws (4).

5. Power to the fixture can now be restored.

Limited Factory Warranty

This product is manufactured by AFX Inc. This fixture is warranted to be free from defects in materials and workmanship when installed and used under normal operating conditions for a period of 5 years from date of purchase. This warranty covers all component parts and extends only to replacement of defective fixture or components; it does not cover failure due to improper installation, misuse, mishandling or damage incurred in transit.