

Flush mount Series

Models: ANF / ATF / RHF / SAF

LED Ceiling Fixture

Safety Precautions

Read all safety precautions and installation instructions carefully before installing or servicing this fixture. Failure to comply with these instructions could result in potentially fatal electric shock and/or property damage.

It is recommended that all wiring be performed by a qualified electrician. This fixture must be wired in accordance with all national and local electrical codes.

Do not handle any energized fixture or attempt to energize any fixture with wet hands or while standing on a wet or damp surface or in water.

This fixture is designed for use in a 120VAC, 60Hz fused circuit and can be used in conjunction with 2-wire Triac dimmers.

Make sure that the power source conforms to the requirements of the fixture (see labels on fixture housing).

To reduce the risk of electrical shock, and to assure proper operation, this fixture must be adequately grounded. To accomplish proper grounding, there must be a separate ground wire (green or bare) or bare metal contact (metal conduit) between this fixture and the ground connection of your main power supply panel.

This fixture is intended to be used for general indoor lighting in dry or damp locations only.

Assembly Instructions

1. Preparing for installation

- A. **Disconnect electrical power** before installing or servicing any part of this fixture
- B. Remove fixture from carton

2. Wiring (all wiring must take place inside junction box)

Caution: Make sure power is off at fuse or circuit breaker box. Check power wires for damage or scrapes. If power supply wires are within three inches of driver use wire suitable for at least 90C (194F). **Note:** Most dwellings built before 1985 have supply wire rated to 60C. Consult a qualified electrician before installing. This unit will not operate properly unless connected to a "grounded" electrical circuit.

Electrical shock, over heating, low or no light output, and shortened lamp life can result if proper grounding is not done. Securely attach bare wire to ground supply wire.

- A. Using wire nuts (supplied), connect white (neutral) supply wire to white fixture wire; connect black (hot) supply wire to black fixture wire. Pull on each wire lead to verify all connections are secure. Make certain no bare wires are exposed outside of the wire nuts
- B. Connect the ground wire from the power source to the ground wire in the junction box.
- C. Tuck all connections neatly into junction box.

3. Mounting

- A. Secure ceiling pan, (1) to the junction box with two screws (2) (supplied).

4. Installing diffuser

- A. Raise the shade, (3) up to the ceiling through the larger part of the opening in the top of the shade, past 3 shade mounting spacers in the pan (1) per Figure 2.
- B. Rotate the shade so 3 slots are lined up with the spacers. Drop shade into place on top of the spacers allowing the flanges to protrude through the slots.
- C. Twist slightly to ensure proper engagement between the spacers and notches in the upper flange.

5. Restore power to fixture

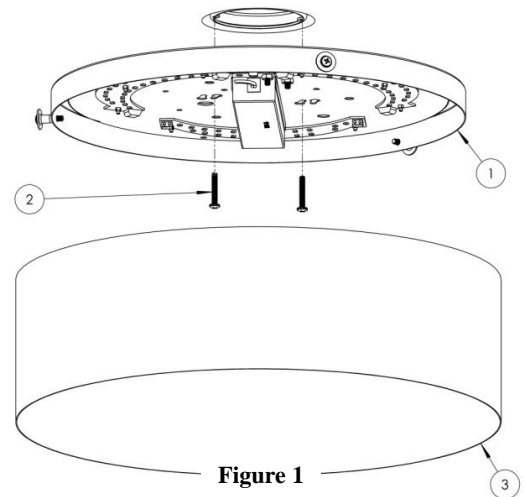


Figure 1

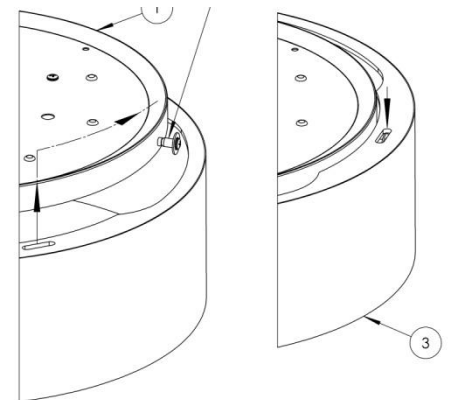


Figure 2

Limited Factory Warranty

AFX Inc. hereby warranty that this fixture is free from defects in materials and workmanship when installed and used under normal operating conditions for a period of 5 years from date of purchase. This warranty covers all component parts and extends only to replacement of defective fixture or components; it does not cover failure due to improper installation, misuse, mishandling or damage incurred in transit.