

## Safety Precautions

Read all safety precautions and installation instructions carefully before installing or servicing this fixture. Failure to comply with these instructions could result in potentially fatal electric shock and/or property damage.

It is recommended that a qualified electrician perform all wiring. This fixture must be wired in accordance with all national and local electrical codes.

Do not handle any energized fixture or attempt to energize any fixture with wet hands or while standing on a wet or damp surface or in water.

This fixture is designed for use in a 110-120VAC, 60Hz fused circuit.

Make sure that the power source conforms to the requirements of the fixture (see labels on fixture housing).

To reduce the risk of electrical shock, and to assure proper operation, this fixture must be adequately grounded. To accomplish proper grounding, there must be a separate ground wire (green) or bare metal contact (metal conduit) between this fixture and the ground connection of your main power supply panel. The green ground screw location is clearly marked on the gem bar.

This fixture is intended to be used for general indoor lighting in dry or damp locations only.

## Assembly Instructions

### 1. Preparing for installation

- A. **Disconnect electrical power** before installing or servicing any part of this fixture.
- B. Separate fixture (1) from mounting bracket (2), place fixture and parts bag off to the side.

### 2. Wiring. All wiring must take place inside junction box.

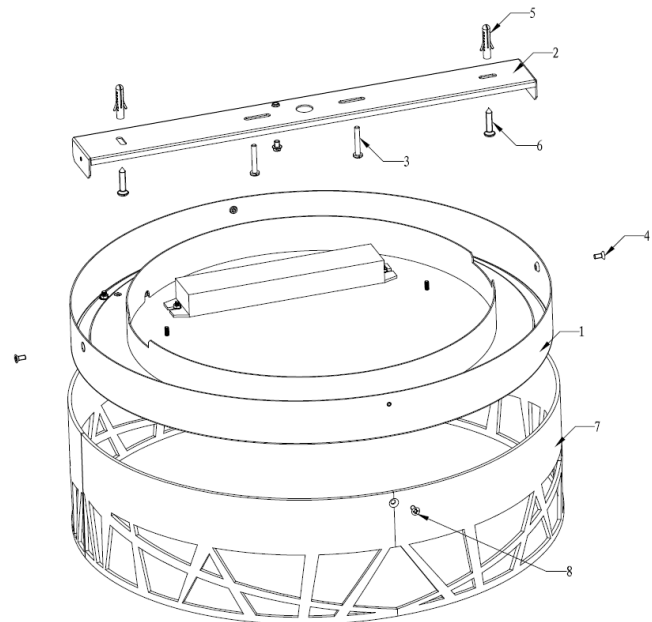
**Caution:** Make sure power is off at fuse or circuit breaker box. Check power wires for damage or scrapes. If power supply wires are within three inches of driver use wire suitable for at least 90°C (194°F). **Note:** Most dwellings built before 1985 have supply wire rated to 60°C. Consult a qualified electrician before installing.

- A. This unit will not operate properly unless connected to a “grounded” electrical circuit. Electrical shock, overheating, low or no light output, and shortened lamp life can result if proper grounding is not done. Securely attach power source ground wire and fixture copper ground wire to green ground screw on mounting bracket.
- B. Using wire nuts (provided), connect white (common) supply wire to white fixture lead. Connect black (hot) supply wire to black fixture lead. **Do not mix wires.** Pull on each wire lead to make sure connections are secure. Make certain no bare wires are exposed outside of wire connectors.

### 3. Fixture mounting

- A. Align mounting bracket (2) to junction box (not supplied) with flat side facing toward ceiling and secure firmly with two #8-32 x 1” screws (3). Install two wood screws (6) through outer slots into drywall anchor (5) for additional support.
- B. Install pan (1) carefully to mounting bracket by aligning two side holes to the bracket and secure firmly with two screws (4).

### 4. Restore power at fuse or circuit breaker box.



**BOF162600L30  
model shown**

### Limited Factory Warranty

AFX Inc. hereby warrants that this fixture is free from defects in materials and workmanship when installed and used under normal operating conditions for a period of 5 years from date of shipment from factory. This warranty covers all component parts and extends only to replacement of defective fixture or components; it does not cover failure due to improper installation, misuse, mishandling or damage incurred in transit.