



Point LED Pendant Pntp Series

Features

This pendant utilizes LED low voltage technology in various length metal cylinders. Cylinder is available in several color choices. Light engine includes LED module rated at 50,000 hours. Pendant is suspended from 9' adjustable cable. Product can be used over receptions desks, restaurants, and in any task lighting application. Driver is located in the canopy which mounts to standard junction box (not included).

Construction

Pendant is supported with a 1/8" IP threaded stem and jam nut. Metal tube is made from 1/8" thick aluminum. Canopy is 5-1/2" x 1-3/8" deep and fits over a standard junction box. Canopy is retained to the junction box from the inside with 2 mounting screws and the cover is retained with a strain relief. Power supply connections must be made inside a junction box (not included).

Finish

All exposed metal parts are satin nickel polished chrome, white or black. Canopy is painted to match finish.

Diffuser

Diffuser is metal

Electrical

Direct wired with a constant current low voltage electronic LED driver rated for 120 VAC. 3-Point fixture is TRIAC dimmable.

LED

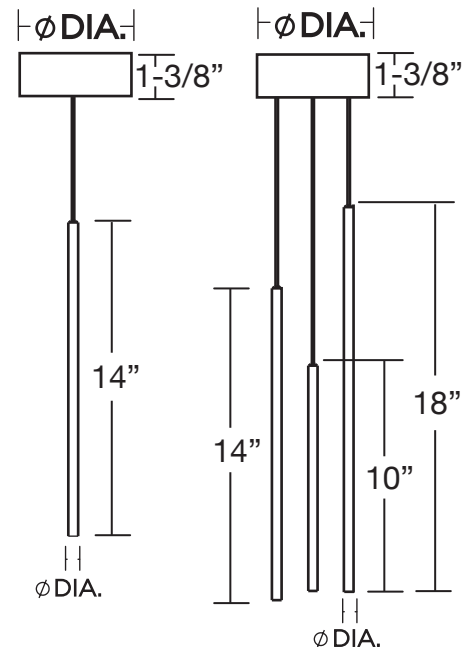
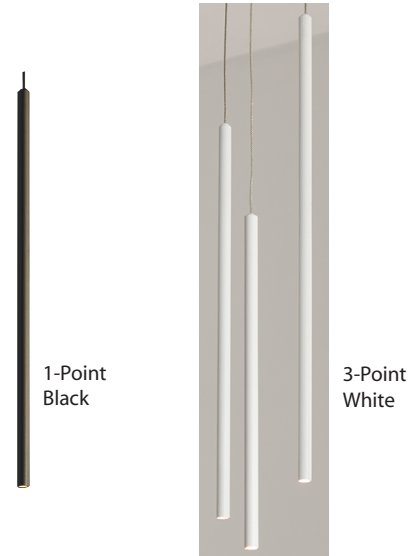
Integrated LED module capable of producing:
 3W = 240 lumens
 9W = 720 lumens
 3000K (CCT). Rated for 50,000 Hrs., 90 CRI.

Certification

cETLus listed for damp locations.

Specifications and dimensions
 subject to change without notice.

LOCATION		DATE
PREPARED BY		QUANTITY
COMMENTS		FIXTURE TYPE
CATALOG NUMBER		



Ordering Information:

1-Point				LED	Source Lumens	CCT	Canopy DIA.	H	Tube DIA.
Satin Nickel	Polished Chrome	Black	White	3W	240	3000K	5-1/2"	14"	7/16"
PNTP0102L30ENSN	PNTP0102L30ENPC	PNTP0102L30ENBK	PNTP0102L30ENWH						

3-Point*				LED	Source Lumens	CCT	Canopy DIA.	H	Tube DIA.
Satin Nickel	Polished Chrome	Black	White	9W	720	3000K	5-1/2"	18"	7/16"
PNTP0107L30D1SN	PNTP0107L30D1PC	PNTP0107L30D1BK	PNTP0107L30D1WH						

*3-Point fixture has 14", 10" and 18" high individual pendants.