



Rowan LED Sconce RWNS Series

Features

Modern wall sconce. Can be used in hallways, entrances, restrooms and anywhere general lighting is needed. Provides lighting in residential, commercial, and hospitality applications. Fixture can be mounted horizontally or vertically to a standard junction box (not included).

Construction

Back pan is die formed from 22-gauge steel. All stainless steel metal housing construction with sealed white diffuser. Power supply connections must be made in a junction box (not included).

Finish

Metal housing is available in satin nickel or white powder coated finish.

Diffuser

Diffuser is made of 0.10" thick standard white acrylic.

Electrical

Input 120-277VAC / 60 Hz.
Compatible with 0-10V dimmers.

LED

Integrated LED modules capable of producing:
18" - 16W, 1400 source lumens
30" - 28W, 2400 source lumens
3000K (CCT). Rated for 50,000 hrs., 90 CRI

Certification

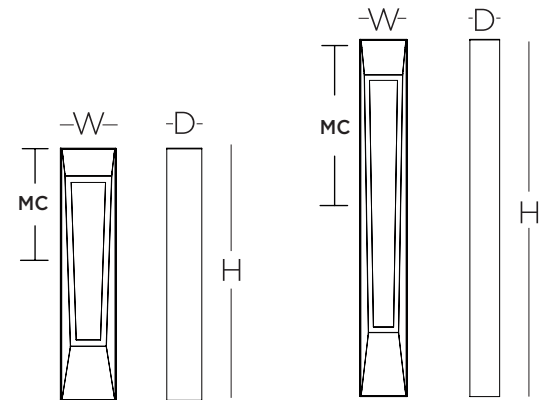
cETLus certified for damp locations.
ADA

Warranty

Limited warranty: This fixture is free from defects in materials and workmanship for a period of 5 years from date-of-purchase.

Specifications and dimensions
subject to change without notice.

LOCATION		DATE
PREPARED BY		QUANTITY
COMMENTS		FIXTURE TYPE
CATALOG NUMBER		



MC - Mounting Center

Ordering Information:

Satin Nickel	White	LED	Source Lumens	CCT	H	W	D	MC
RWNS180414L30D2SN	RWNS180414L30D2WH	16W	1400	3000K	18"	4"	2-1/2"	9"
RWNS300424L30D2SN	RWNS300424L30D2WH	28W	2400	3000K	30"	4"	2-1/2"	15"