

# Ideal Sconce

# LED Wall Mount Fixture

Models: IDS09101400Lxxxx

## Safety Precautions

Read all safety precautions and installation instructions carefully before installing or servicing this fixture. Failure to comply with these instructions could result in potentially fatal electric shock and/or property damage.

It is recommended that a qualified electrician perform all wiring. This fixture must be wired in accordance with all national and local electrical codes.

Do not handle any energized fixture or attempt to energize any fixture with wet hands or while standing on a wet or damp surface or in water.

This fixture is intended to be used for general indoor lighting in dry or damp locations only.

This fixture is designed for use in a 120-277VAC, 60Hz fused circuit. The fixture is compatible with TRIAC (forward-phase or leading-edge) /ELV (reverse-phase or trailing-edge) and 0-10 V dimmers.

Make sure that the supply power source conforms to the requirements of the fixture (see labels on fixture housing).

To reduce the risk of electrical shock, and to assure proper operation, this fixture must be adequately grounded. To accomplish proper grounding, there must be a separate ground wire (green) or bare metal contact (metal conduit) between this fixture and the ground connection of your main power supply panel. The green ground screw location is clearly marked on the gem bar.

## Assembly Instructions

### 1. Preparing for installation

- Disconnect electrical power before installing or servicing any part of this fixture.
- Remove all parts and parts bags from carton.

### 2. Gem bar mounting

- Thread screws (3) on gem bar (1).
- Secure gem bar (1) on the junction box (not supplied) with two screws (2). Adjust the effective length of the fixture mounting screws (3) as necessary.

### 3. Wiring

#### All wiring must take place inside junction box.

**Caution:** Make sure power is off at fuse or circuit breaker box. Check power wires for damage or scrapes. If power supply wires are within three inches of driver use wire suitable for at least 90°C (194°F).

**Note:** Most dwellings built before 1985 have supply wire rated to 60°C. Consult a qualified electrician before installing.

- This unit will not operate properly unless connected to a "grounded" electrical circuit. Electrical shock, overheating, low or no light output, and shortened lamp life can result if proper grounding is not done. Securely attach power source ground wire and fixture copper ground wire to green ground screw on mounting bracket.
- Make all wire connections to appropriate wire. Secure with wire nuts (provided).
- For Non-dimming.** Fixture will operate normally w/o a connection to a dimmer. Connect white fixture lead to white (N) wire from supply power source. Connect black fixture lead to black (L) wire from supply power source. Make sure to cap gray and purple wires separately to prevent shorting.
- For TRIAC dimming.** Connect white fixture lead wire to white (N) dimming source per dimmer wiring instructions. Connect black fixture lead to dimming source wire (L) per dimmer wiring instructions. Make sure to cap gray and purple wires separately to prevent shorting.
- For 0-10V dimming.** Connect gray wire from the fixture to the dimmer source gray wire. Connect purple wire from the fixture to the dimmer source purple wire. Connect white fixture lead to white (N) wire from supply power source. Connect black fixture lead to black (L) wire from supply power source.
- Do not mix wires.** Pull on each wire lead to make sure connections are secure. Make certain no bare wires are exposed outside of wire connectors. Tuck all connections neatly into junction box.

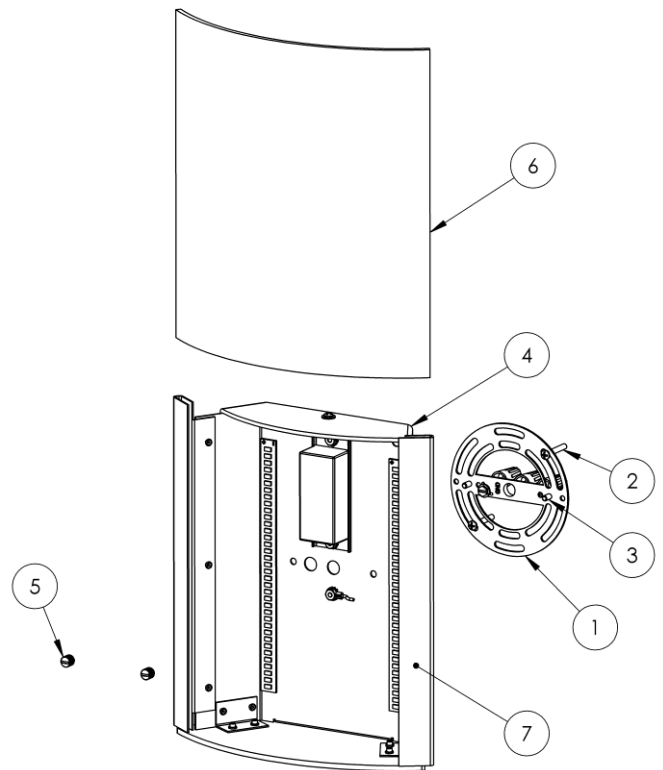
### 4. Fixture Mounting

- Install fixture (4) over mounting bracket by aligning hole on fixture with two screws (3) then secure it with two thumbnuts (5).

### 5. Installing Diffuser

- Install shade (6) by aligning to two side guides (7) and slide down until it rest in place.

### 6. Restore power at fuse or circuit breaker box.



## Limited Factory Warranty

AFX Inc. hereby warrants that this fixture is free from defects in materials and workmanship when installed and used under normal operating conditions for a period of 5 years from date of shipment from factory. This warranty covers all component parts and extends only to replacement of defective fixture or components; it does not cover failure due to improper installation, misuse, mishandling or damage incurred in transit.