

### Safety Precautions

Read all safety precautions and installation instructions carefully before installing or servicing this fixture. Failure to comply with these instructions could result in potentially fatal electric shock and/or property damage.

It is recommended that a qualified electrician perform all wiring. This fixture must be wired in accordance with all national and local electrical codes.

Do not handle any energized fixture or attempt to energize any fixture with wet hands or while standing on a wet or damp surface or in water.

Make sure that the power source conforms to the requirements of the fixture (see labels on fixture housing).

To reduce the risk of electrical shock, and to assure proper operation, this fixture must be adequately grounded. To accomplish proper grounding, there must be a separate ground wire (green) or bare metal contact (metal conduit) between this fixture and the ground connection of your main power supply panel. The green ground screw location is clearly marked on the gem bar.

This fixture is intended to be used for general indoor lighting in dry or damp locations only.

### Assembly Instructions

#### 1. Preparing for installation

- A. **Disconnect electrical power** before installing or servicing any part of this fixture.
- B. Remove fixture; place the diffuser assembly (1) and the bag with hardware off to the side.

#### 2. Wiring. All wiring must take place inside junction box.

**Caution:** Make sure power is off at fuse or circuit breaker box. Check power wires for damage or scrapes. If power supply wires are within three inches of driver use wire suitable for at least 90C (194F). **Note:** Most dwellings built before 1985 have supply wire rated to 60C. Consult a qualified electrician before installing.

- A. This unit will not operate properly unless connected to a “grounded” electrical circuit. Electrical shock, overheating, low or no light output, and shortened lamp life can result if proper grounding is not done. Securely attach green (or green and yellow) wire to back of fixture with provided hardware.
- B. Using wire nuts (provided), connect white (common) supply wire to white fixture lead. Connect black (hot) supply wire to black fixture lead. **Do not mix wires.** Pull on each wire lead to make sure connections are secure. Make certain no bare wires are exposed outside of wire connectors. **Note:** fixtures with universal voltage power supplies are pre-wired with a disconnect. Refer to the included guide for using the disconnect

#### 3. Fixture mounting.

- A. Back pan mounting options **Caution: fixture must be mounted at least 13” from ceiling**
  1. Gem Bar Mounting – Using short screws (8) and 2.75” holes in gem bar (7) fasten with hex-nuts for final back pan mounting. Use the long screws (6) to secure universal round gem bar to junction box (not supplied).

#### 4. Diffuser installation - see Fig 2

- A. To install the diffuser assembly, remove the screws (B), rubber washers (C) and nuts (F) from the bracket (D) and inner diffuser (E). Starting with the glass diffuser (A), place rubber washer (C) onto screw (B) and insert into hole on glass diffuser (A). Place another rubber washer (C) on the back side of the diffuser in the bottom hole and then insert into hole on bracket (D) then through the inner diffuser (E). Secure with hex-nut. Repeat with other screw placing the rubber washer in the upper hole of bracket (D). Align the diffuser assembly (1) above arm bracket (4), place diffuser assembly (1) onto arm bracket (4), align holes on the underside and secure with counter sunk screws (3).
- B. Restore power at fuse or circuit breaker box.

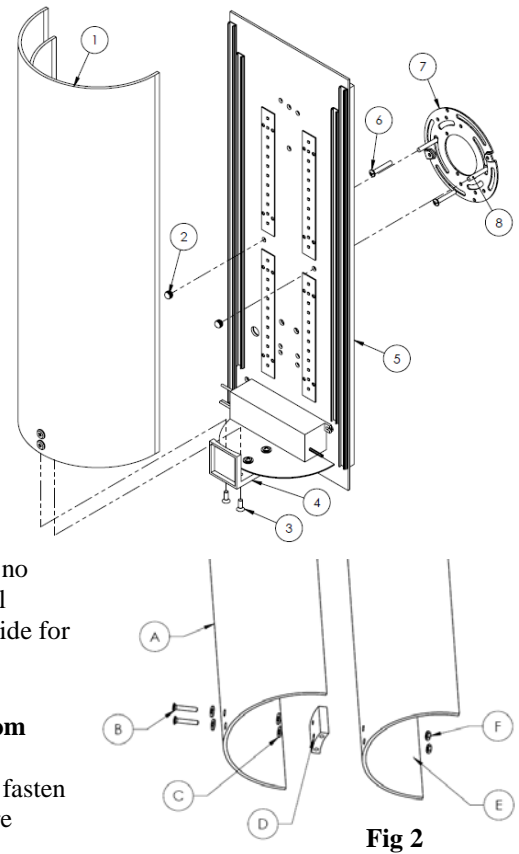


Fig 2

#### Limited Factory Warranty

AFX Inc. hereby warranty that this fixture is free from defects in materials and workmanship when installed and used under normal operating conditions for a period of 5 years from date of shipment from factory. This warranty covers all component parts and extends only to replacement of defective fixture or components; it does not cover failure due to improper installation, misuse, mishandling or damage incurred in transit.